



Item No.: _____
 Order No.: _____
 Qty: _____ Date: _____

UNDERBAR SINK WITH TWO DRAINBOARDS

Features

- All welded stainless steel construction
- 3-1/4" backsplash, 4" center faucet holes & 30" working height
- Stainless steel legs with adjustable plastic bullet feet
- 1" NPS drain with 7-1/2" removable overflow tube included (x3)
- Two drainboards aid in fast drying & 1-3/8" strain opening
- Designed for a wash, rinse, and sanitize operation
- Recommended: 4" wall mounted faucet & 8" spout

Included Item:

AA-144-8



AA-148-8



Recommended Faucet:

AA-401G & AA-008G

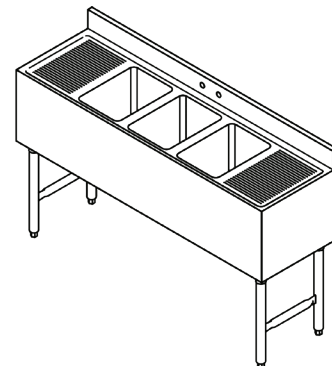
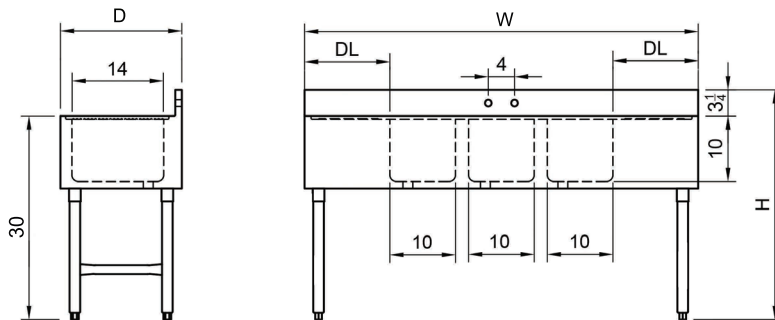


Description Underbar Sink With Two Drainboards

This durable, stainless steel bar sink boasts three separate compartments to help you keep up with the demand for glassware at your bar. The two drainboards can be used for collecting dirty glasses on one end and drying them on the other.

The three standard sink bowls is great for a standard wash, rinse, and sanitize operation at your bar. This standard industry practice helps ensure that your glassware is always clean and ready to go for new customers. Each bowl is 10" deep, allowing you to wash even your tallest beer glasses and pitchers.

Plan View SE10143D60B



Order No.	D x W x H (in)	DL (in)	Description	G. W. (lb)	Qty.
SE10141D36B	18-1/2 x 36 x 33-1/4	12-11/16	Single Sink Bowl Underbar Sink	59	1
SE10142D48B	18-1/2 x 48 x 33-1/4	12-11/16	Two Sink Bowls Underbar Sink	78	1
SE10143D60B	18-1/2 x 60 x 33-1/4	12-11/16	Three Sink Bowls Underbar Sink	90	1
SE10143D72B	18-1/2 x 72 x 33-1/4	18-3/4	Three Sink Bowls Underbar Sink	98	1